



Round Loudspeaker

Ø40.0 × 18.0 mm

With wires

SOC40C180DN4

Revision

Date	Version	Status	Changes	Approver
2019/07/11	V0.1	Draft	First release	AX
2019/8/8	V0.2	Draft	Update outsize marking	AX

项目 ITEMS	规格 TEST SPECIFICATIONS		测试条件 TEST CONDITIONS		
1、尺寸 DIMENSIONS	Φ40×18 mm		参照外形装配图 PER SPEAKER CONSTRUCTION DWG.		
2、主要材料 MAIN MATERIAL	盆架 BASKET	● METAL ○ PLASTIC ○ OTHER:			
	磁钢 MAGNET	Φ 15.5×4 mm	○ FERRITE ● Nd-Fe-B ○ Al-Ni-Co ○ OTHER:		
	纸盆 CONE	○ 全纸盆 PAPER ○ MYLAR ○ OTHER			
		● 复合盆 COMPOUND	折环 SORROUND	■ RUBBER □ FOAM □ CLOTH □ PU □ OTHER:	
		锥体 CONE BODY	■ PAPER □ MYLAR □ PP □ OTHER:		
3、总重量 TOTAL WEIGHT	g				
4、功率 POWER	额定功率 NORMAL POWER : 2.0 W 最大功率 MAX POWER : 4.0 W				
5、阻抗 NORMAL IMPEDANCE	4Ω ± 15%		AT: 1.0 KHz/1.0V		
6、纯音检测 SINA SIGNAL OPERATION	不允许有任何杂音 THERE SHALL NOT BE EXTRANEIOUS NOISE		2.83 V/RMS FROM FO TO 15.0 KHz (AT ≥0.3M)		
7、共振频率 RESONANT REQUENCY	160± 25% Hz		AT: 1.0 V / CONSTANT VOLTAGE		
8、特性灵敏度 S.P.L.	77dB ± 3 dB		AT: 1.0 W / 1.0 M (0.4; 0.6; 0.8; 1.0KHz AVE)		
9、频响范围 FREQUENCY RANGE	Fo~15.0 KHz		AT: 1.0 W / 1.0 M SPL. -10dB		
10、总品质因素 Qts	-----				
11、失真 THD	MAX.8% MAX.3%		AT:300-500Hz 0.25W/0.5M AT:501-10.0KHz 0.25W/0.5M		
12、极性 POLARITY	纸盆向正面移动 THE CONE SHALL MOVE UPWARD		正电流接于“+”上 WHEN APPLIE POSITIVE POTENTIAL TO THE (“+”)		
13、存储与运输 TRANSPORTATION AND STORAGE	GUARANTIED TEMPERATURE RANGE: Tmax= +70°C, Tmin= -25°C				
NOTE: Above measuring condition under temperature: 15~35°C,R.H. 25 ~75%.					
ENDURANCE AND MECHANICAL TEST					
14、连续负荷测试 LOAD TEST	WHITE NOISE 2.0 W APPLIED FOR 96 H				
15、高温测试 HIGH TEMPERATURE	+70 ± 3 °C HUMIDITY RANDOM FOR 96 HOURS.				
16、低温测试 LOW TEMPERATURE	- 25± 3 °C HUMIDITY RANDOM FOR 96 HOURS.				
17、潮湿测试 HUMIDITY	+ 40 ± 3 °C RELATIVE HUMIDITY (RH) 90 ~ 95 % FOR 96 HOURS.				
NOTE: After test, leave speakers at room temperature for 1 hour, and speakers meet above item 5,6,7,8.					
18、跌落测试 DROP TEST	SPEAKERS PROPERLY PACKAGED IN THEIR SHIPPING CARTON ARE DROPPED ON EACH SIDE OF THE CARTON EXCEPT THE TOP FROM A HEIGHT OF 80CM (CARTON GW≤10kG) OR 60CM (10kG<CARTON GW≤25kG)				
NOTE: After test, there shall be no buzz/rattle and the speakers shall not exhibit any physical damage.					
19、环境有害物质控制 ENVIROMENT HARMFUL MATERIAL CONTROL	RoHS COMPLIANT				

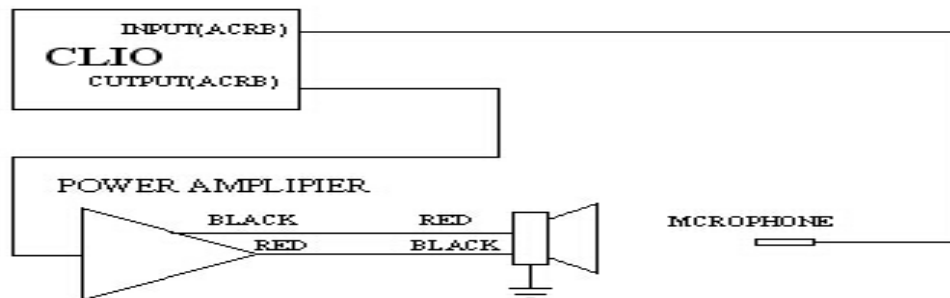
Test method and User precaution

1. Characteristics measurement environment condition

1.1 Except other specified, measuring are under temperature 15~35°C, R.H. 25 ~75%, air pressure 86~106kPa.

1.2 Judgement condition temperature $20 \pm 2^\circ\text{C}$, R.H. 63~67%, air pressure 86~106kPa.

2. Output Sound Pressure Level (S.P.L.) and distortion testing setup



Speaker to mounted on a standard IEC 268-5 baffle in an anechoic chamber

2. Endurance & Mechanical test:

3.1 Load test:

Speaker should not fail after applying 20 ~ 20K Hz white noise rated power input (RMS) for 96 hours, then leave the speaker at room temperature for 1 hour, speaker shall meet item 5,6,7,8.

3.2 High Temperature:

After exposure the speaker in the high temperature chamber on condition described as item 15 for 96 hours, then leave the speaker at room temperature for 1 hour, the speaker shall meet item 5,6,7,8.

3.3 Low Temperature:

After exposure the speaker in the low temperature chamber on condition described as item 16 for 96 hours, then leave the speaker at room temperature for 1 hour, the speaker shall meet item 5,6,7,8.

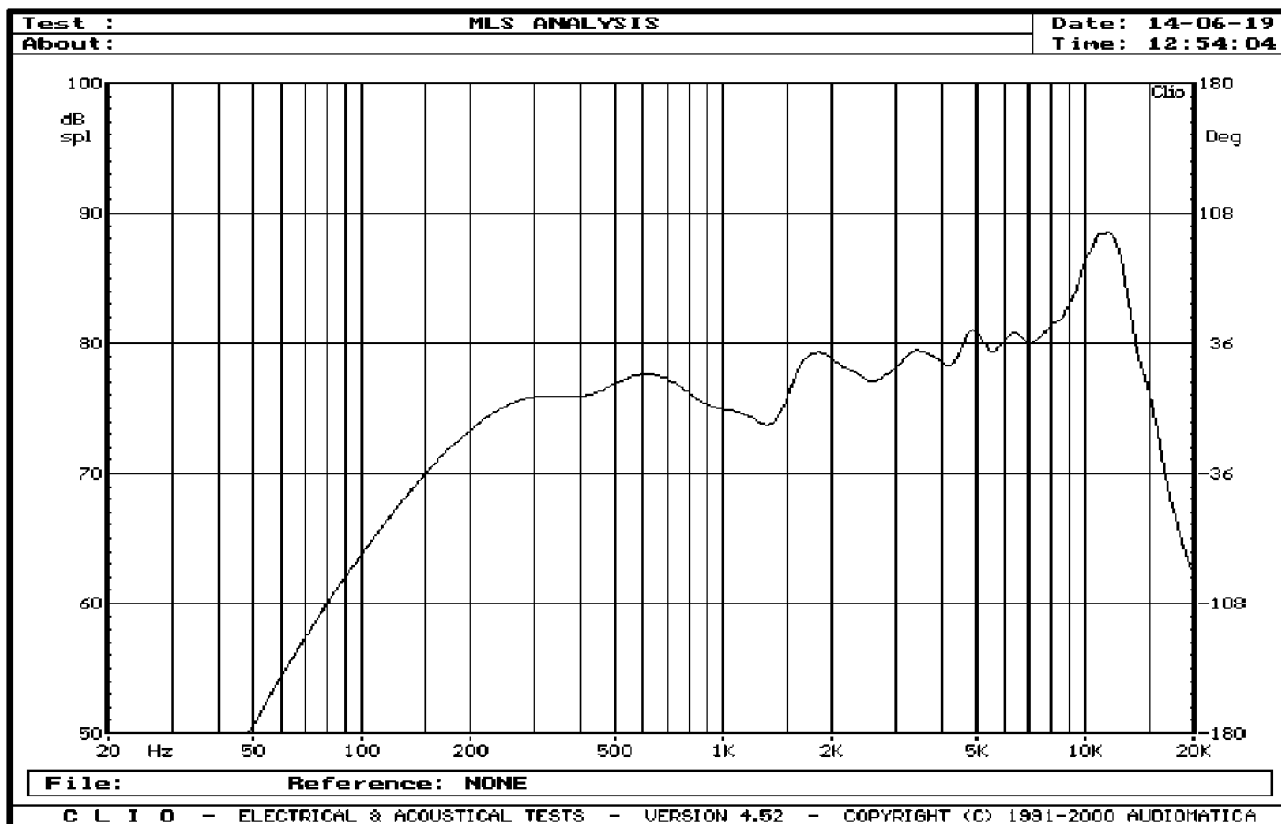
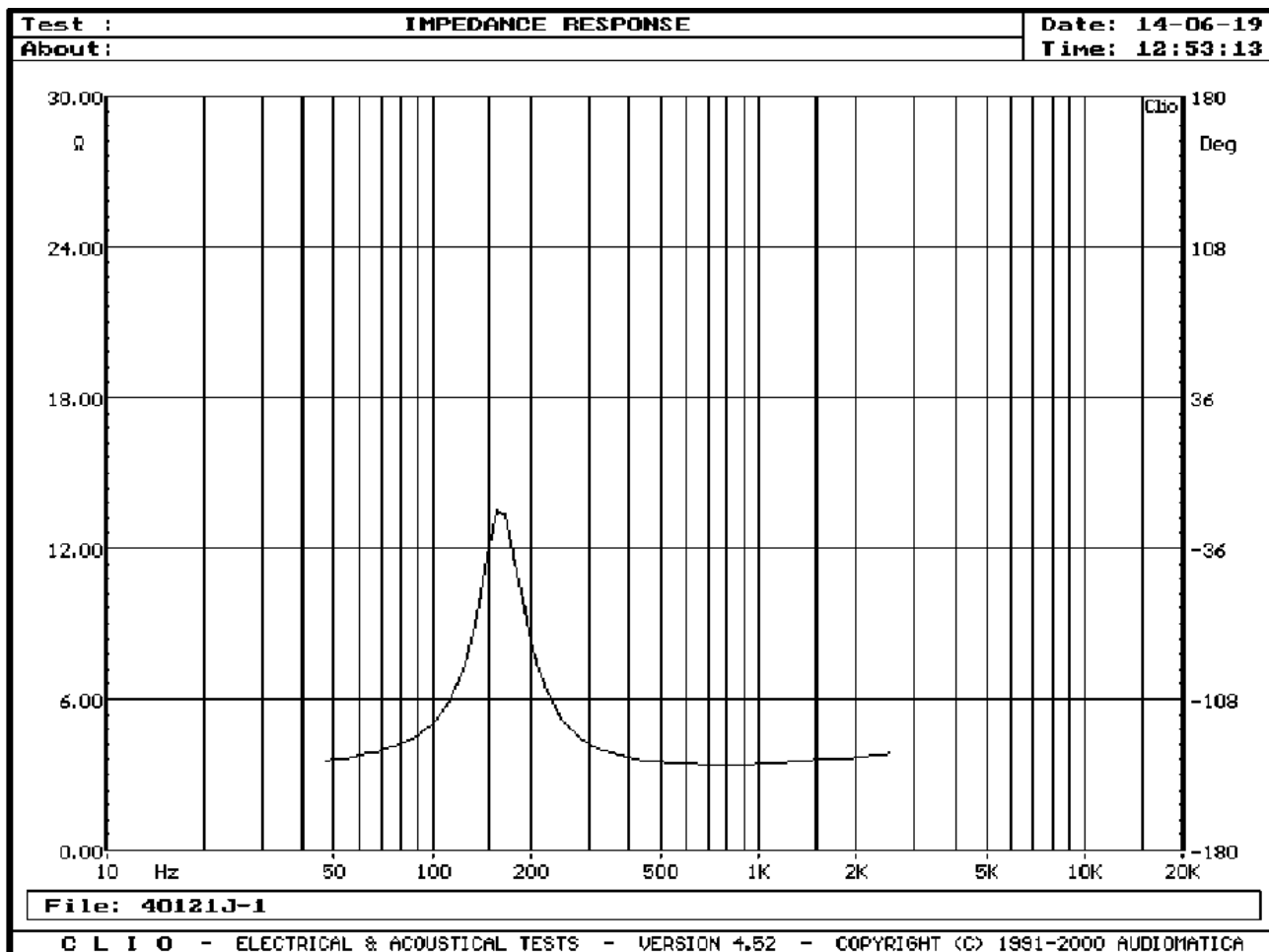
3.4 Humidity:

After exposure the speaker in the chamber on condition described as item 17, for 96 hours, then leave the speaker at room temperature for 1 hours, the speaker shall meet item 5,6,7,8.

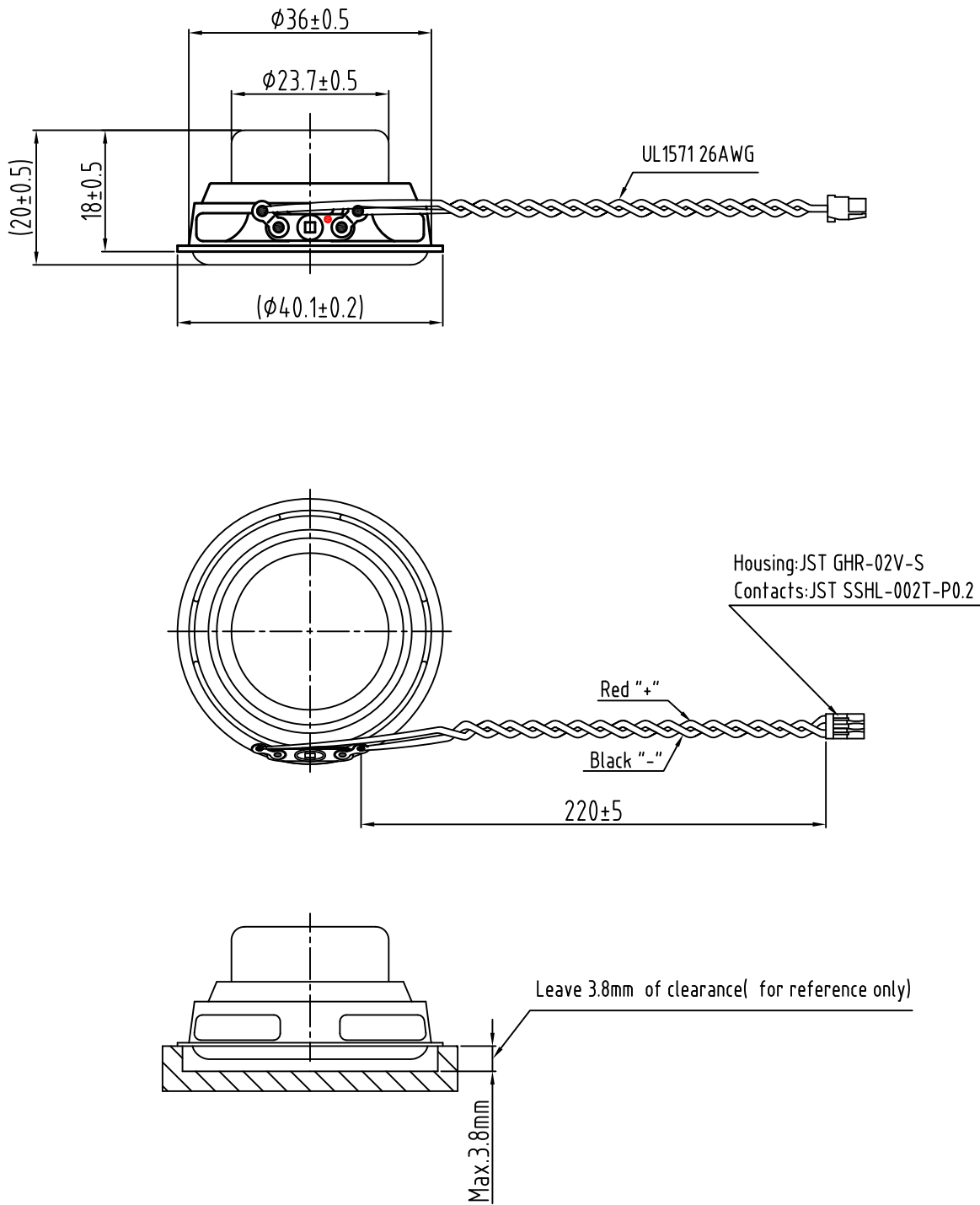
3.5 Drop test:

Speakers properly packaged in their shipping carton are dropped on each side of the carton except the top from a height of 80cm (carton $\text{GW} \leq 10\text{kg}$) or 60cm ($10\text{kg} < \text{carton GW} \leq 25\text{kg}$), after test, there shall be no buzz/rattle and the speakers shall not exhibit any physical damage.

TYPICAL FREQUENCY RESPONSE CURVES



DRAWING



				RoHS Compliant	
				Tolerance is not marked	
				below 6 ± 0.18	>6 to 10 ± 0.22
				>10 to 18 ± 0.27	>18 to 30 ± 0.33
				>30 to 50 ± 0.39	>50 to 80 ± 0.46
				>80 to 120 ± 0.87	>120 to 250 ± 1.0
NO	Date	Description		Scale	1:1
NAME	SPEAKER	PN	SOC40C180DN4		